

TWM

Weigh Module

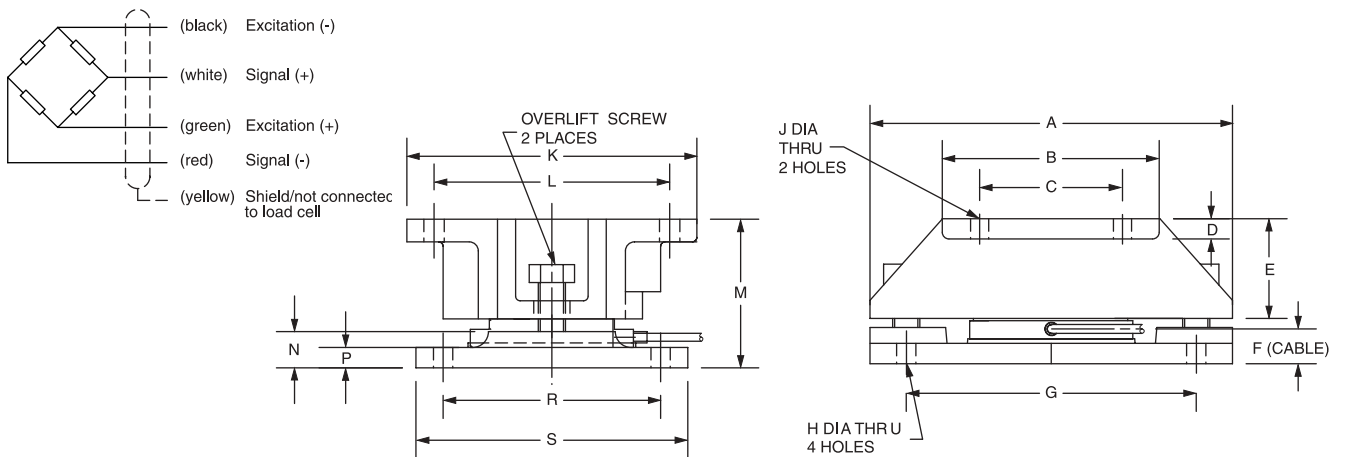


Special Features

- Low profile
- Robust steel construction
- Environmentally sealed
- Integral lateral stops
- Corrosive resistant paint
- Overlift and anti-tilt protection

Dimensions: inch (mm)

CAPACITY	A	B	C	D	E	F	G	H	J	K	L	M	N	P	R	S	Cable Length ft (m)
20K	10 (254)	6 (152)	4.5 (114.3)	0.63 (16.00)	2.75 (69.85)	1.19 (30.23)	8.0 (203.2)	0.53 (13.46)	0.56 (14.22)	8 (203)	6.5 (165.1)	4.0 (101.6)	1 (25)	0.56 (14.22)	6 (152)	7.5 (190.5)	35 (10.7)
50K/100K	14 (356)	7.5 (190.5)	5 (127)	1.0 (25.4)	3.75 (95.25)	1.63 (41.40)	11.75 (298.45)	1.0 (25)	0.91 (23.11)	10.5 (266.7)	8 (203)	6.25 (158.75)	2 (51)	1.0 (25.4)	8 (203)	10 (254)	35 (10.7)



Specifications

Model Type		TWM		
Accuracy class		NON-NTEP		
Maximum number of load cell intervals (n_{LC})				
Maximum capacity (E_{max})	lbs	20K	50K	100K
Sensitivity (C_n)	mV/V	2.0 ± 0.2		
Zero balance		0 ± 0.02		
Temperature effect on zero balance (TK_0)	% of C_n / 10°C	± 0.014		
Temperature effect on sensitivity (TK_c)				
Temperature range +20...+40°C [+70...+105°F] -10...+20°C [+15...+70°F]		± 0.021 ± 0.021		
Hysteresis error (d_{hy})	% of C_n	± 0.05		
Non-linearity (d_{lin})		± 0.05		
Creep (d_{cr}) over 30 min.		± 0.035		
Input resistance (R_{LC})	Ω	750 min		
Output resistance (R_O)		700 ± 5		
Reference excitation voltage (U_{ref})	V	5		
Maximum excitation voltage (U_{max})		15		
Insulation resistance (R_{is})	GΩ	5		
Nominal temperature range (B_T)	°C [°F]	-10...40 [14...104]		
Service temperature range (B_{tu})		-15...70 [5...158]		
Storage temperature range (B_{tl})		-15...85 [5...185]		
Safe load limit (E_L)	% of E_{max}	150		
Ultimate load limit (E_d)		300		
Lateral load limit (E_{lq})		100		
Permissible dynamic load (F_{srel}) (vibration amplitude according to DIN 50100)		70		
Deflection at E_{max} (S_{nom}), approx.	in	0.007	0.009	0.01
Weight, approx.	lbs	46	125	125
Protection class to EN60529 (IEC529)		IP65		
Material: Measuring element		Stainless Steel		
Cable Fitting Seal		Neoprene		
Cable Sheath		Polyurethane		
Coating/Plating		Corrosive Resistant Paint		



Due to continuous improvement, dimensions and specifications are subject to change without notice. All details describe our products in general form only. They are not to be understood as express warranty and do not constitute any liability whatsoever. Please request certified drawings before designing mountings or fixtures.

HBI/DS-TWM-044-Rev1

HBM, Inc.

19 Bartlett Street
Marlborough, MA 01752
Tel. 800-578-4260 • 508-624-4500
Fax 508-485-7480
E-mail: info@usa.hbm.com
Internet: www.hbm.com



measurement with confidence